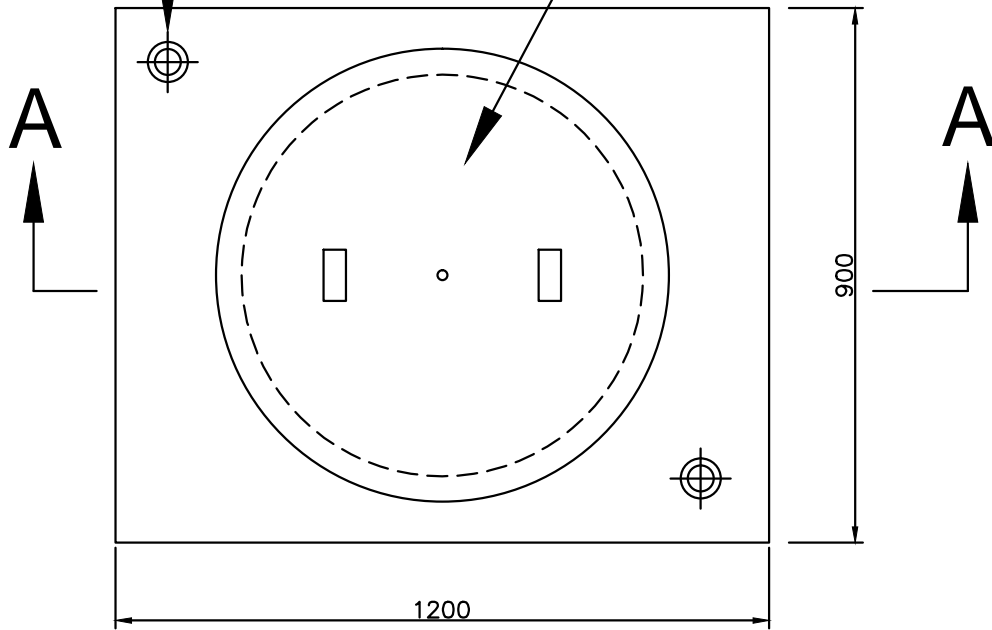
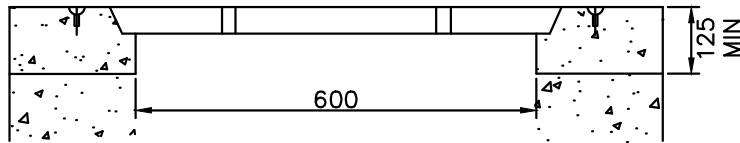


2 NO. 1.3 TONNE X 55 LONG SWIFT LIFTS
FOR HANDLING

CLASS 'D' PRECAST
CONCRETE COVER AND
SURROUND WITHIN 1M OF
A VEHICLE CARRIAGEWAY.
OTHERWISE CLASS 'B'.



PLAN



SECTION A-A

NOTES:

1. THIS PIT LID TO BE USED ON SIDE ENTRY, JUNCTION AND EASEMENT PITS WITH INTERNAL DIMENSION 600 X 900
2. CONCRETE STRENGTH 25Mpa AT 28 DAYS
3. CAPACITY OF LID AND INSERT - 60kN (CLASS B MIN.)



**PRECAST CONCRETE PIT LID
& CIRCULAR INSERT
900mm X 600mm PITS
(Not To Scale)**

DRAWN BY:
C.B.

CHECKED : L.T

DATE:
05.04.13

SD 019

REVISION	DATE	APPROVED
1.	27.9.2010	J.G.
2.	30.9.2011	C.B.
3.	5.04.2013	L.T.