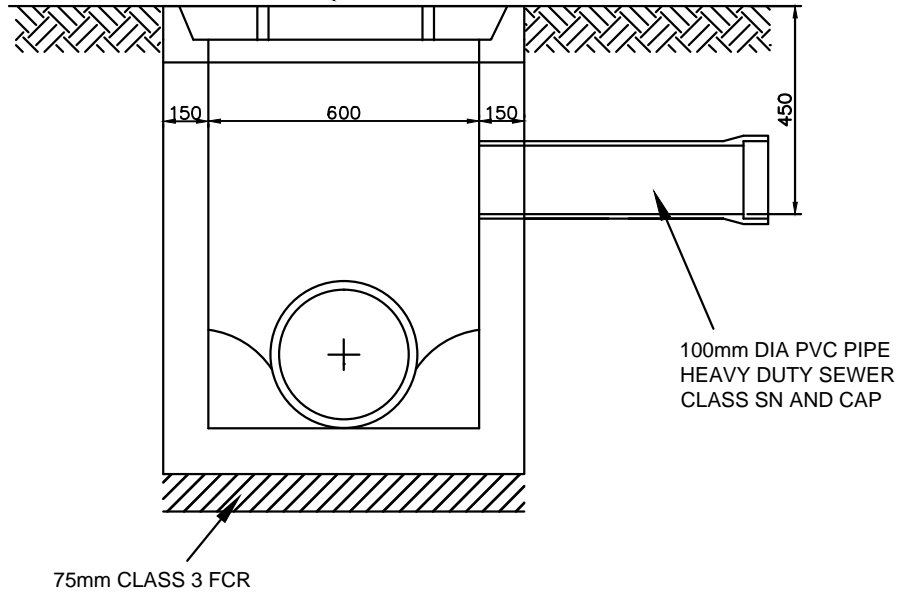


PRECAST CONCRETE
COVER WITH
CIRCULAR INSERT



SECTION

NOTES:

1. PITS TO BE 900 X 600 SIZE MINIMUM
2. THE TOP OF THE PIT SHALL MATCH THE FINISHED SURFACE LEVEL
3. CLASS 'B' CIRCULAR CONCRETE INSERT AND PRECAST LID SHALL BE USED IN EASEMENTS AND RESERVES AS PER SD 019.
4. CLASS 'D' SHALL BE USED WHEN PIT IS LOCATED IN ROAD RESERVE WITHIN 1m OF VEHICLE CARRIAGEWAY AS PER SD019, ALSO SEE VICROADS SD 1051
5. ALL JOINTS ON PVC PIPE TO BE SEALED WITH SOLVENT WELD CEMENT (TYPE N OR P), OR RUBBER RING JOINT
6. CONCRETE STRENGTH 25MPa AT 28 DAYS



**PROPERTY (HOUSE)
CONNECTION TO
EASEMENT DRAIN PIT
(Not To Scale).**

DRAWN BY:
C.B.

CHECKED : L.T

DATE:
05.04.13

SD 023

REVISION	DATE	APPROVED
1.	27.9.2010	J.G.
2.	5.04.2013	L.T.
3.		