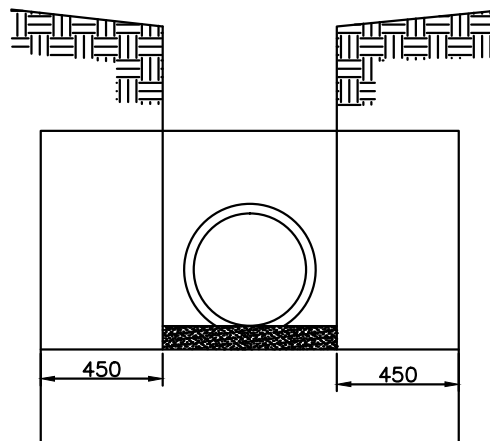


PLAN



SECTION A-A

NOTES:

1. ANCHOR BLOCKS SHALL BE USED WHERE THE PIPE SLOPE IS STEEPER THAN 1 IN 6 AND PIPE LENGTH IS GREATER THAN 15M
2. ANCHOR BLOCKS SHALL BE LOCATED AT THE NEAREST JOINT:
APPROXIMATELY 2400MM FROM THE LOWER END THEN AT;
6m SPACING FOR LENGTHS 15m-30m OR
10m SPACING FOR LENGTHS 30m-40m OR
15m SPACING FOR GREATER THAN 40m
3. CONCRETE STRENGTH TO BE 25Mpa AT 28DAYS



**ANCHOR BLOCK FOR
PIPES UP TO 600mm DIA
(Not To Scale)**

DRAWN BY:
C.B.

CHECKED : L.T

DATE:
05.04.13

SD 022

REVISION	DATE	APPROVED
1.	6.06.2008	J.G.
2.	5.04.2013	L.T.
3.		