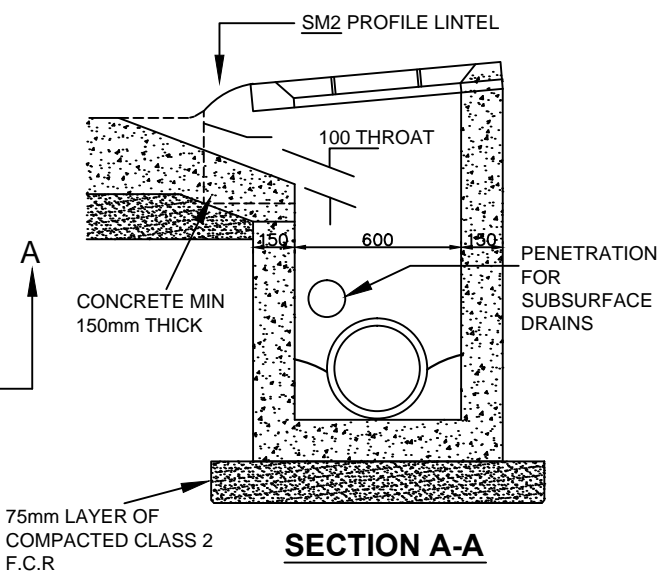
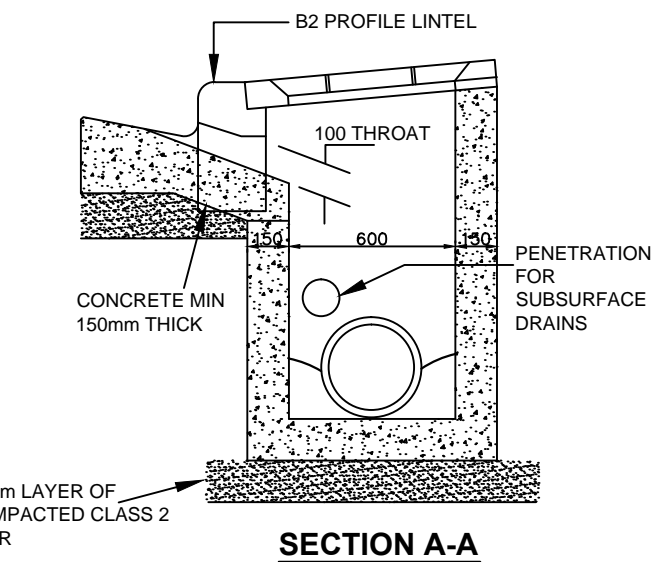


PLAN



SECTION A-A



SECTION A-A

NOTES:

1. ALL WALLS TO BE MINIMUM 150mm THICK
2. THE TOP OF THE PIT SHALL MATCH THE NATURE STRIP CROSSFALL TO B.O.K.
3. FLUTES ARE TO BE PROVIDED TO PITS, WHERE KERB AND CHANNEL GRADE EXCEEDS 2%
4. PROVIDE STEP IRONS FOR PIT DEPTH EXCEEDING 1.0m
5. CONCRETE STRENGTH 25Mpa AT 28 DAYS
6. EXPANSION JOINTS TO BE INSTALLED EITHER SIDE OF PIT WITH 3 No.450mm LONG R16 BARS GREASED OR SLEEVED ONE END
7. SET BACK LINTEL 50mm AND RAISE 50mm FROM KERB ALIGNMENT



SIDE ENTRY PIT
(Not To Scale)

DRAWN BY:
C.B.
CHECKED : L.T
DATE:
05.04.13
SD 012

REVISION	DATE	APPROVED
1.	14.11.2011	C.B.
2.	5.04.2013	L.T.
3.		