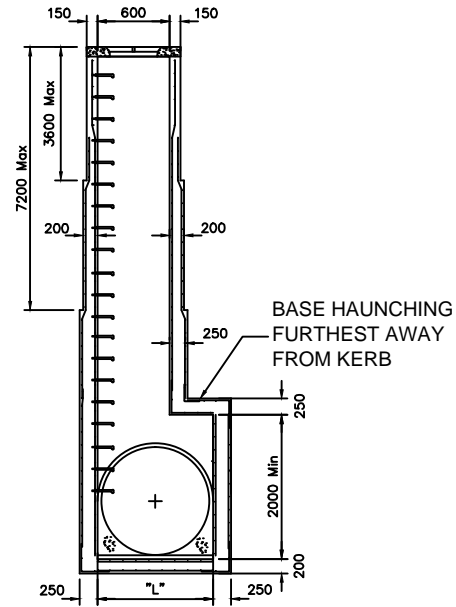
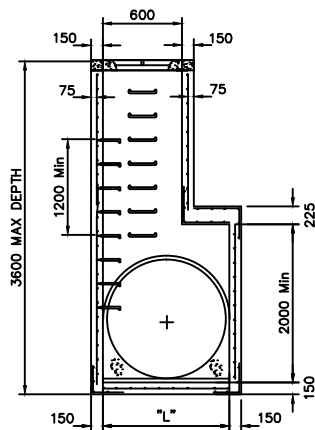


PITS 3601 TO 7200 DEPTH

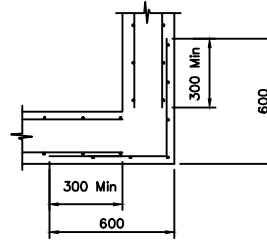


PITS 7201 TO 10800 DEPTH



PITS UP TO 3600 DEPTH

PIT LENGTH "L"	REINFORCEMENT
UP TO 1200	SL92
1201-1800	RL918
1801-2400	RL1218



REINFORCEMENT DETAILS

PITS WITH HAUNCHING IN TWO DIRECTIONS REQUIRE SPECIAL STRUCTURAL DESIGN LAPS TO BE SUED 300MIN. CLEAR COVER TO BE 50mm MIN. CORNER RETURN REINFORCEMENT TO BE FABRIC OR EQUIVALENT BARS

1. THE TOP OF THE PIT SHALL MATCH FINISHED SURFACE LEVELS
2. CLASS B, PRECAST CONCRETE CIRCULAR PIT LID AND SURROUND SHALL BE USED IN EASEMENTS AND RESERVES
3. CLASS D SHALL BE USED WHEN PIT IS LOCATED IN ROAD RESERVE WITHIN 1m OF VEHICLE CARRIAGEWAY
4. PROVIDE STEP IRONS FOR PIT DEPTH EXCEEDING 1.0m
5. CONCRETE STRENGTH 32Mpa AT 28 DAYS
6. FOR PIPE SIZES 450-750mm, 'L' TO BE 900mm
7. FOR PIPE SIZES OVER 750mm, 'L' TO BE DIA+100mm
8. FOR PITS OVER 2.0m DEEP BUT WITH PIPE SIZE LESS THAN 450mm 'L' TO BE 900mm



**HAUNCHED PITS FOR
PIPES OVER 450mm IN
DIA OR PITS DEEPER
THAN 2.0m
(Not To Scale)**

DRAWN BY:
C.B.

CHECKED : L.T

DATE:
05.04.13

SD 020

REVISION	DATE	APPROVED
1.	10.6.2008	J.G.
2.	5.04.2013	L.T.
3.		