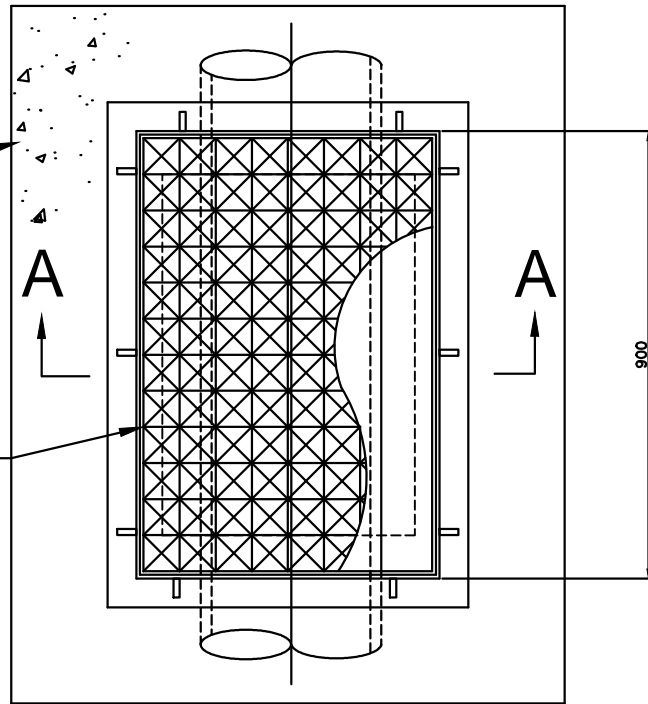
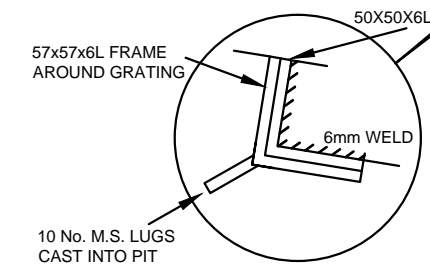
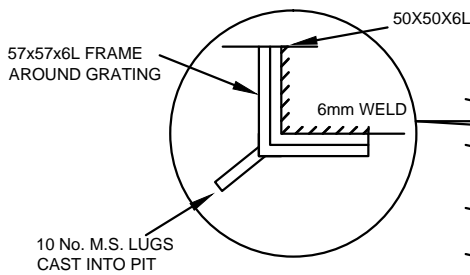


600 WIDE 150THICK
CONCRETE APRON
WHERE REQUIRED

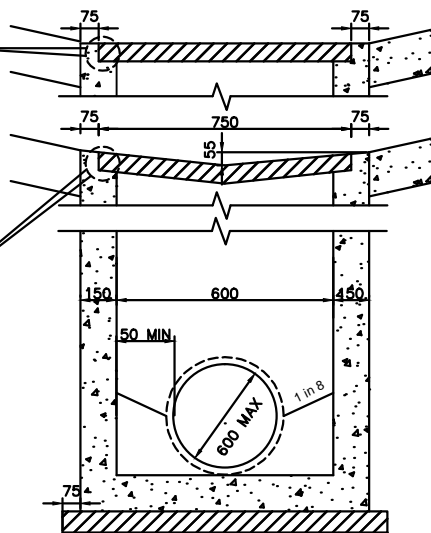
CLASS D "BIKE SAFE"
GRATE



PLAN



**GRATING FRAME
DETAIL**



SECTION A-A

20mm CLASS 2
FCR 50mm THICK

NOTES:

1. GRATE SHALL BE "BIKE SAFE" AND MADE TO SAME SHAPE AS OPEN CHANNEL: GRATE TO BE CLASS D
2. GRATE TO BE HOT DIPPED GALVANISED STEEL OR CAST IRON
3. STEP IRON TO BE APPROVED IN PITS OVER 1m DEEP
4. THE TOP OF THE PIT SHALL MATCH NATURE STRIP CROSSFALL
5. CONCRETE TO BE 25Mpa AT 28 DAYS
6. PIT TO BE HAUNCHED FOR PIPE DIAMETER GREATER THAN 450mm OR DEEPER THAN 2.0m
7. IN UNSEALED AREAS PROVIDE A CONCRETE APRON 150 THICK X 600mm WIDE WITH 50mm FALL TO TOP OF GRATE



**Macedon
Ranges**
Shire Council

**GRATED PIT IN RESERVE
CHANNELS AND PAVED
AREAS**

(Not To Scale)

DRAWN BY:
C.B.

CHECKED : L.T

DATE:
05.04.13

SD 017

REVISION	DATE	APPROVED
1.	22.12.2011	C.B.
2.	5.04.2013	L.T.
3.		